

niGLON

Wiring Accessories

MEDIAN

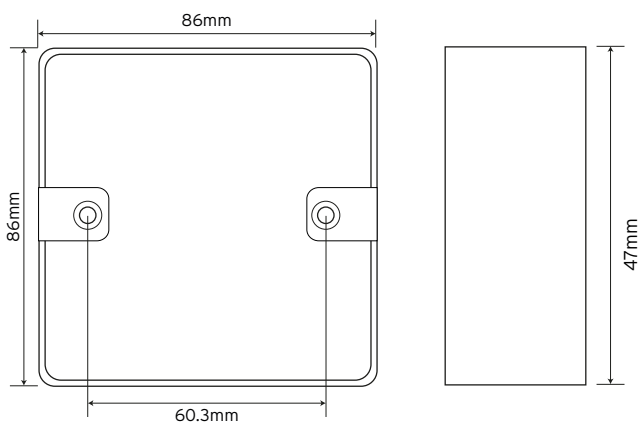
NSPB471 Mounting Pattrress



**20
YEAR
GUARANTEE**

A new take on traditional moulded wiring accessories manufactured in bright white Urea.

Technical Drawing



Technical Specifications

| | |
|---------------------------------|--|
| No Gangs | 1 |
| Material Composition | Front Plate - Urea |
| Anti Microbial Certified | Yes |
| IP Rating | IP20 |
| Operational Temperature | -5° to +40°C |
| Standards | BS 5733 : 2010 + A1 : 2014, Modified ISO 22196 |
| Dimensions | 86x86x47mm (HxWxD) |
| Warranty | 20 Years |